

## FEATURES

- Low cost
- Low-profile
- PTB and OIML C3 approved (OIML R60)
- Off center compensated (OIML R76)
- Protection class IP65

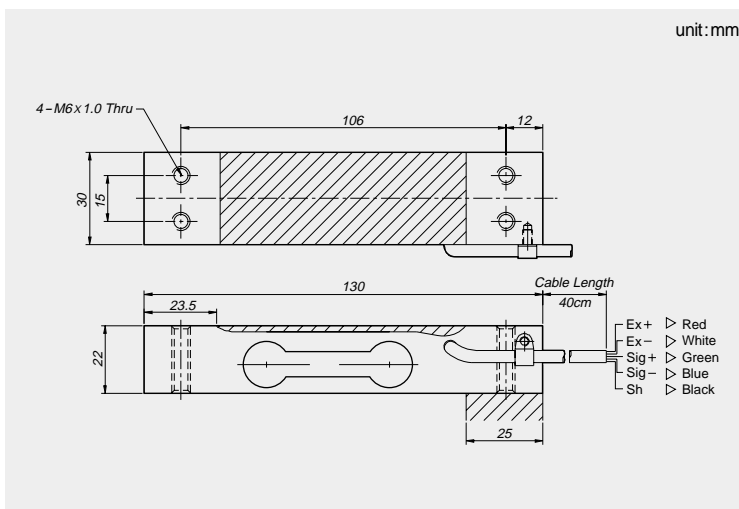
## OPTIONS

- 6-wires connection
- OIML C3 approved

## SPECIFICATIONS

Max. capacity	kgf	6, 10, 15, 20, 30, 35, 50	
Rated output	mV/V	2.0 ± 0.2	
Zero balance	mV/V	0 ± 0.1	
Accuracy class		D3	C3
Combined error	%	0.03	0.02
Repeatability	%	0.01	0.01
Creep for 30 min.	%	0.03	0.017
Temperature effect on			
Zero Value	%/10°C	0.028	0.014
Output value	%/10°C	0.014	0.011
Excitation			
Recommended	V	10	
Maximum	V	15	
Resistance			
Input	Ω	400 ± 20	
Output	Ω	350 ± 3.5	
Insulation	MΩ	> 2,000	
Compensated temperature range	°C	-10 to +40	
Operating temperature range	°C	-20 to +70	

## DIMENSIONS



## Material

Anodized Aluminum

## Mounting

Socket-head cap screw M6 × 1.0(10.9)  
Tightening torque: 14Nm

## Cable

Braided Shield 4-wire round cable  
with PVC-Jacket

## Maximum Platform Size

300 × 300mm

## Ordering Information

BCL - **XXL**

Capacity in kg